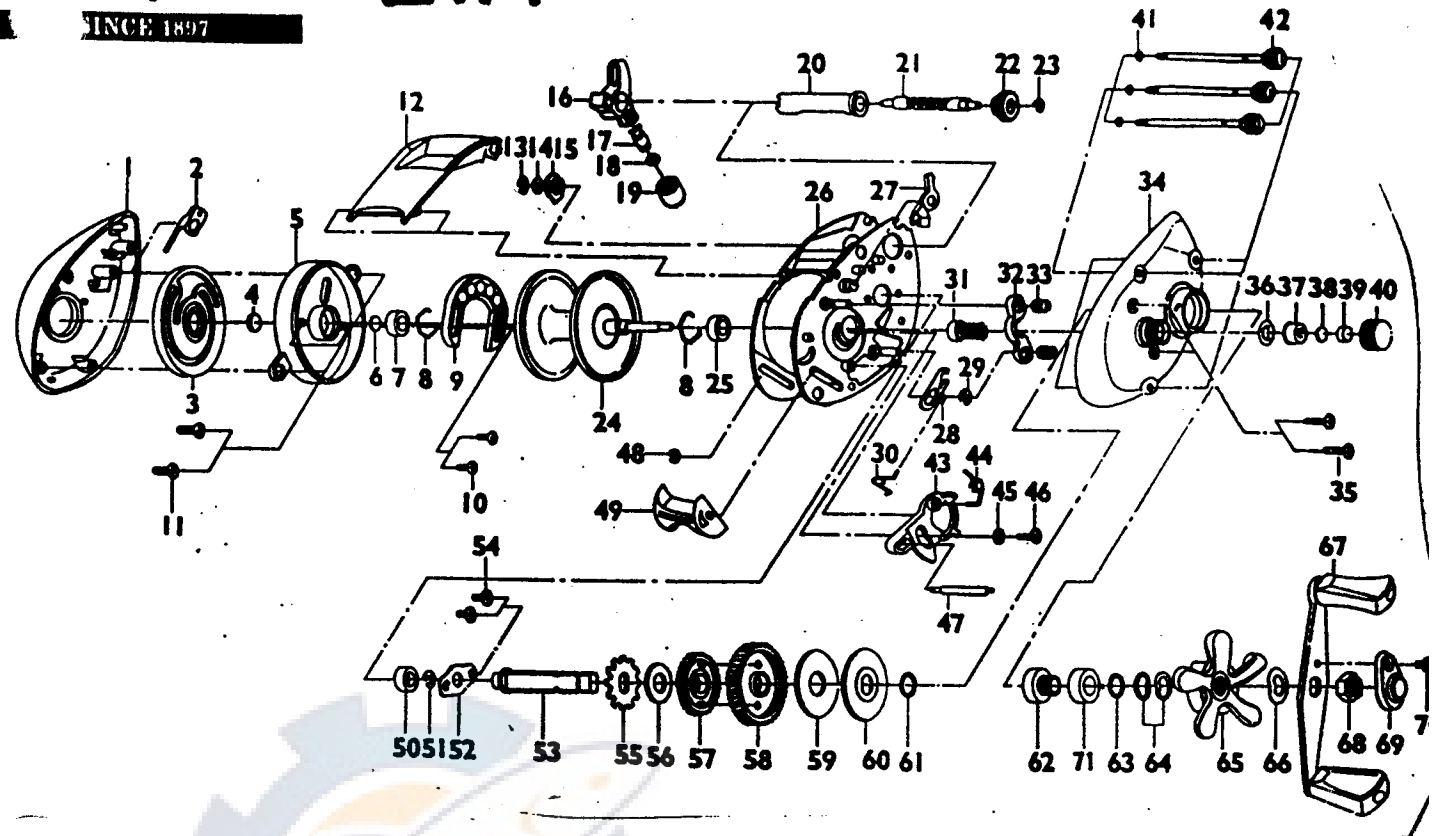


**SINCE 1897**



No.	Part No.	Description	Key No.	Part No.	Description
1	6K198806	Left Side Cover	36	6K176501	Tension Knob Ring
2	6K198701	Clicker	37	6K176801	Bearing
3	6K199201	Magnet Control Dial	38	6K164601	Washer-Spool Tension
4	6K181101	Cushion Washer	39	6K181101	Cushion Washer-Spool
5	6K198801	Spool Cover	40	6K181201	Spool Tension Knob
6	6K164601	Spool Tension Shim	41	6K176401	Ring-Thumb Screw Ret.
7	6K185401	Bearing	42	6K176202	Thumb Screw
8	6K170701	Clip Ring	43	6K197001	Release Slider Assembly
9	6K198901	Magnet Slider Assembly	44	6K196501	Spring-Release Slider
10	6K532501	Screw-Magnet Slider	45	6K161801	Washer-Release Slider
11	6K120202	Screw-Spool Cover	46	6K184801	Screw-Release Slider
12	6K197406	Hood	47	6K196901	Pin-Thumb Rest
13	63205901	E-Ring (Worm Shaft)	48	6B339801	E-Ring Pin
14	6K164403	Washer (Worm Shaft)	49	6K196802	Thumb Rest
15	6K172201	Worm Shaft Bushing	50	6K185401	Bearing-Crankshaft
16	6K196601	Line Guide Carrier	51	63201402	E-Ring-Crankshaft
17	6K172401	Line Guide Pawl	52	6K172701	Retainer-Crankshaft
18	6K164402	Washer (L/G Pawl)	53	6K172601	Crankshaft
19	6K172502	Line Guide Carrier Screw	54	6K173001	Screw-Crankshaft Retainer
20	6K171601	Worm Shaft Guide	55	6K174401	Trip Ratchet
21	6K172001	Worm Shaft	56	6K185201	Washer
22	6K172101	Level Wind Gear	57	6K174601	Gear-L/W Idler
23	6B339801	E-Ring (L/W Gear)	58	6K174801	Drive Gear
24	6K178201	Spool Assembly	59	6K174901	Drag Disc
25	6K185401	Bearing	60	6K175001	Drag Washer
26	6K196101	Frame	61	6K177302	Clutch Sleeve
27	6K182101	Anti-Reverse Pawl	62	6K213301	Bushing
28	6K170801	Kick Lever	63	6K177302	Washer-Crankshaft
29	63201402	E-Ring (Kick Lever)	64	6K160702	Spring D Washer
	6K171501	Spring-Kick Lever	65	6K197801	Drag Star
	6K174001	Pinion Gear	66	6K161401	Handle Washer
32	6K186301	Pinion Yoke	67	6K197901	Handle Assembly
33	6K171001	Spring-Pinion Yoke	68	6K178303	Handle Nut
34	6K197603	Right Side Cover	69	6K162101	Handle Nut Cap
35	6K177202	Screw (R/S Cover)	70	63511801	Handle Nut Cap Screw
			71	6K213201	Bearing